

HUNGARY - HEADQUARTERS

Equip - Test Kft.
 Vágóhíd u. 19.
 H-2220 Vecsés, Hungary
Phone number: +36 29 550 940
Fax: +36 29 356 480
E-mail: info@equip-test.com

GERMANY

Equip - Test GmbH
 Max-Stromeyer-Str. 116
 D-78467 Konstanz, Deutschland
Phone number: +49 7531 6984377
Fax: +49 7531 6984379
Mobile: +49 151 12929189
E-mail: infode@equip-test.com

ESTONIA - NORDIC REGION

Equip-Test OÜ
 Vana-Narva maantee 30/1.
 74114 Maardu, Harju maakond
 Estonia
Mobile: +372 5299769
E-mail: infoee@equip-test.com

POLAND - NORTH

Equip - Test Sp. z o. o.
 Cyfrowa 6
 71-441 Szczecin, Poland
 Building F3, office B 1.08
Mobile: +48 73 323 2122
E-mail: infopl@equip-test.com

POLAND - SOUTH

Equip - Test Sp. z o. o.
 Balicka 160
 30-198 Kraków, Poland
Phone number: +48 12 426 0260
Fax: +48 12 426 02 61
E-mail: infopl@equip-test.com

UKRAINE

Ekip - Test Ukraine TOV
 Hoydy str., 10 office 72
 Uzhgorod, 88000, Ukraine
Phone number: +380 312 61 23 98
Mobile: +380 50 432 4188
E-mail: infooua@equip-test.com

CZECH REPUBLIC

Equip - Test s.r.o.
 Slovákova 8
 CZ 602 00 Brno, Czech Republic
Phone number: +420 541 420 076
E-mail: infocz@equip-test.com

SLOVAKIA

Equip - Test s.r.o.
 Čechinová 16/G
 SK 821 05 Bratislava, Slovakia
Phone number: +421 243 411 999
E-mail: infosk@equip-test.com

SERBIA

Multi - Test d.o.o.
 Topolski put 65.
 21220 Bečej, Serbia
Phone number: +381 652 054 160
E-mail: info@multi-test.rs

ROMANIA

SC. Echip Test SRL
 Str. Locomotivei Nr.4
 410431 Oradea, Bihor, Romania
Phone number: +40 259 410 121
Fax: +40 259 410 121
E-mail: infofo@equip-test.com

BULGARIA

Equip - Test OOD
 Dimitar Petkov str. Nr. 69 2nd Floor,
 Office 3
 Sofia 1309, Bulgaria
Mobile: +359 89 465 3694
E-mail: infobg@equip-test.com

MOLDOVA

SC. Equip Test SRL
 B-dul Ștefan cel Mare
 Nr. 65, of. 410
 2001-Chișinău, Moldova
Phone number: +373 22 845 355
Fax: +373 22 845 355
Mobile: +373 68 698 877
E-mail: infomd@equip-test.com

NORTH AMERICA

Equip - Test Ltd.
Phone number: +1 707 299 6649
Mobile: +1 858 203 8014
E-mail: info@equip-test.com

LATIN AMERICA & SPAIN

Equip - Test Ltd.
Mobile: +36 70 709 9522
E-mail: info@equip-test.com

ASIA - SINGAPORE

Equip - Test Asia PTE. LTD.
 701 Sims Drive
 #06-03, LHK Building
 Singapore 387383
Phone number: +65 6291 5808
Fax: +65 6291 5408
Mobile: +65 9786 4698
E-mail: infosg@equip-test.com

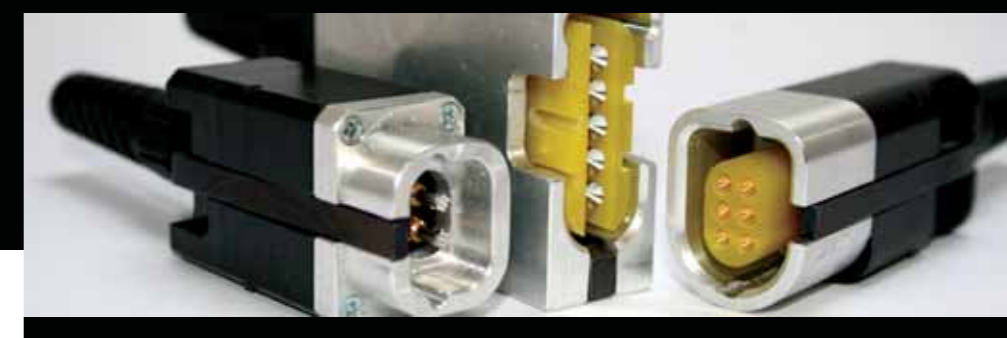
DISTRIBUTOR

TEST • SUPPORT • INNOVATE

Special JIGS

Executive test solutions

FOR APPLICATIONS SUCH AS TESTING THE CONNECTORS ON CAR MOTORS, THE SPECIAL JIG DESIGN & ENGINEERING DEPARTMENT FROM EQUIP-TEST CAN OFFER YOU THE RIGHT SOLUTION.



SPECIAL JIG FOR CABLE TEST
 HEAVY DUTY JIGS
 ESD JIGS
 JIGS FOR TV-DVD-AUDIO
 STEERING WHEEL JIGS

JIG's

This brochure shows you our ability in regard to manually operated **JIG's**. All the products used for testing that are shown in this catalog are designed and manufactured by Equip-Test!

In order to test different connectors on **Powertrain Products, PC-Boards, Cable Harnesses, Home Entertainment Products, White Goods** or other products, our team of engineers will design a user-friendly, high-quality and precise **JIG** for your needs!

The life-expectancy of a **JIG** during the test is much longer than when using standard connectors or their counterparts. Furthermore it is easy to repair and maintain should it be necessary to exchange individual parts such as Test Probes and Receptacles etc. or add or repair wire connections. For our **JIGs** we always use the most suitable **Test Probes**, which are then assembled precisely to match up to the contacts of the connectors and subsequently ensure reliable contacting and a good test. Our CNC machining shop is equipped with high-precision manufacturing and measuring machines to enable us to deliver high-quality **JIG's** to competitive prices and with short delivery times. Because the majority of our engineers and technicians are under 35 this ensures long-term stability and continuous support!

Equip-Test JIG's are mainly used in the industries listed below. This brochure groups the six different application areas as well as also presenting sections for **Spare Parts** and **Tools** as follows:

...**AUTOMOTIVE**

...**HOME ENTERTAINMENT / TELECOMMUNICATION**

...**WHITE GOODS**

...**COMPUTER / SERVER / WINCHESTER**

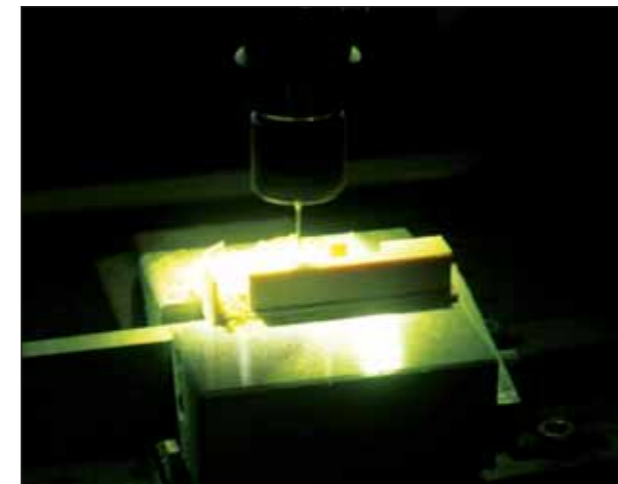
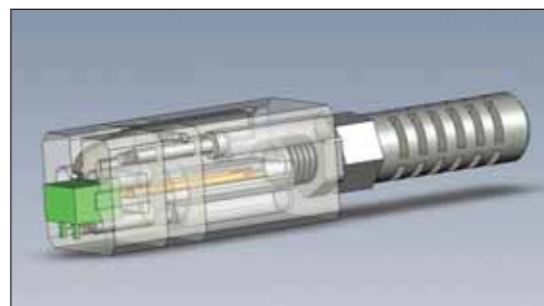
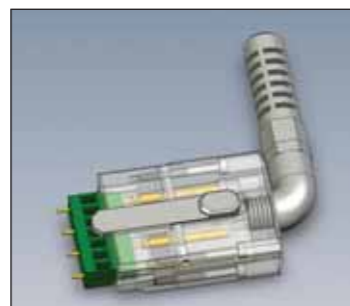
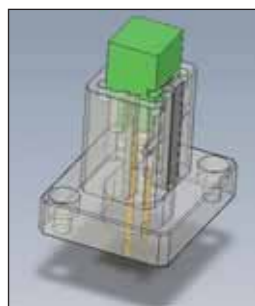
...**OTHER**

...**CABLE – HARNESS MODULES**

...**TOOLS / SPARE PARTS**

Should you have a need for the products we have in our catalog then don't hesitate to contact us under: info@equip-test.com
We will supply you with an excellent manually or pneumatically operated **JIG** to exactly meet your needs - and this to a competitive price!

Your Equip-Test Team!



General Information

The following section highlights what information and data are needed to generate a quotation for our JIGs and Modules as well as describing the Workflow

Necessary Data to generate a Quotation:

- ...Picture of the target product, which confirms the work place
- ...Picture of the part(s) which is/are in the Connector of the product
- ...Picture of the Connector, which clearly defines those contact terminals that need to be contacted/tested
- ...Confirmation of the Amps and Hz that must be measured with the **JIG**
- ...Confirmation of the length of the wire(s) required
- ...Confirmation should an interface need to be assembled to the other end. If so: please describe!
- ...Confirmation of the quantity of **JIGs** to be quoted.

Necessary items to manufacture the JIG:

- ...CAD Drawings of Connector
- ...Sample Connector
- ...Test Specification

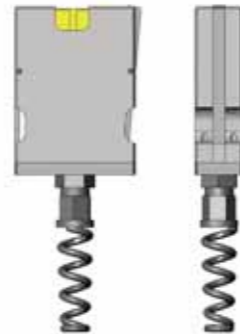
Workflow with pictures:

- 1...Connector or Module, which is to be contacted/tested!
- 2...3D model designed by us, and which will be provided to customer prior to the order
- 3...Technical Drawing(s)
- 4...Machining of the **JIG**
- 5...**JIG** prior to implementation of the Test Probes
- 6...**JIG** after implementation of the Test Probes
- 7...**JIG** after wiring
- 8...Testing the product with the **JIG**

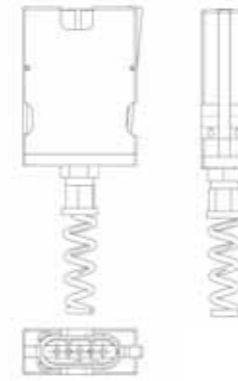
1.



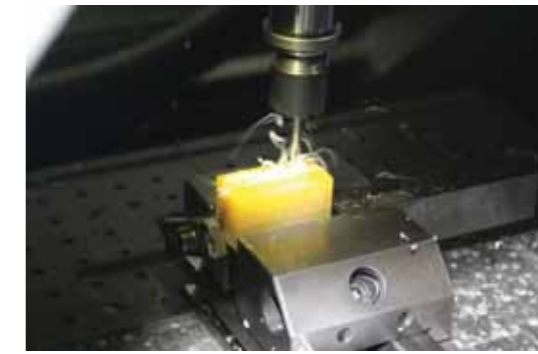
2.



3.



4.



5.



6.



7.



8.



Automotive JIG's

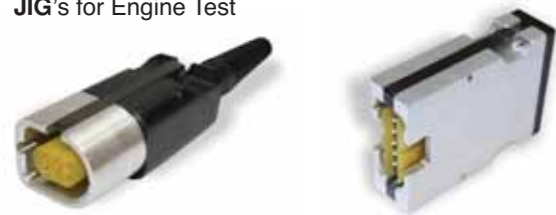
The **JIG's** used in this section are mainly used in the production of engines, clutches, steering wheels, pumps, mirrors, lights, air conditioners etc. The purpose of their usage is to connect the connectors of these products via our **JIG's** and subsequently to make the necessary tests.

Our engineers always design the best possible **JIG** according to the local circumstances. Because the production environment is often not so clean, these products are made of materials, which are especially resistant to dust, grease, oil or other contaminants.

Note the following applications:

- JIG's for Engine Test**
- JIG's for Powertrain**
- JIG's for Air Conditioning**
- JIG's for Fuel Pumps**
- JIG's for Mirrors**
- JIG's for Lights**
- JIG's for Steering Wheels**
- JIG's for Seats**

JIG's for Engine Test



JIG's for Powertrain



JIG's for Fuel Pumps



JIG's for Lights



JIG's for Steering Wheels



JIG's for Seats



JIG's for Air Conditioning



JIG's for Mirrors



JIGs for testing Home Entertainment & Telecommunication Products

In the case of the need to make frequent contact to audio/video connectors such as **Cinch, Scart, USB, Antennas, Power Sockets, F-Connectors** and **PCIMCIA Slots** for devices such as **TV-sets, DVDs, Tuners, Decoders** and other **Home Audio Systems** etc. we can offer **Special JIGs** for single or simultaneous contact of a number of connectors.

We assemble special custom-designed **Test Probes**, which are precisely fitted to ensure exact and reliable contact. Depending on the demand, the **Test Probes** also have **Radio-frequency** capabilities.

The life-expectancy of a **JIG** during the test is much longer than when using standard connectors or their counterparts. Furthermore the **JIGs** are easy to repair and maintain should it be necessary to exchange individual parts such as **Test Probes** and **Receptacles** etc. or add or repair wire connections

Cinch test probe A



Cinch test probes B with receptacles



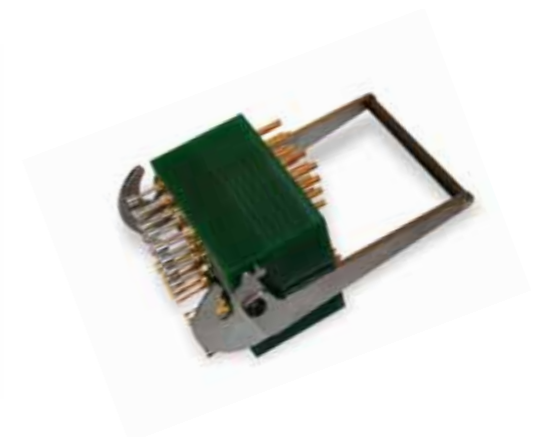
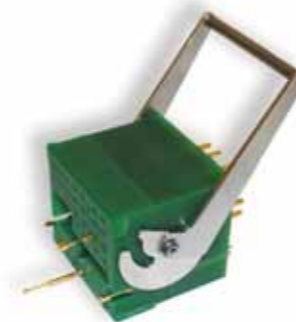
Scart JIG



Hand JIG for TV testing



JIGs for audio systems testing



Connecting JIG with fixture frame



JIGs for white goods

Washing machines, microwave ovens, fridges and dishwashers etc. all have very similar types of connectors. These connectors are usually tested with counterparts, which are not durable and do not ensure safe and reliable testing. The simple reason being that the counterparts of connectors are produced for one-off assembly and remain like that for a long time. Perhaps disassembly happens once or twice in a life-time – for servicing etc. The design of our **JIGs** for these types of connectors can be screwed onto the assembly table of these cable harnesses to enable a perfect test to be carried out – and this with the appropriate Test Probes chosen by our engineers for the best test results! Here we test the continuity of cables with high amps and high voltage as well as the presence of the contact terminals inside the connectors. Send your requirement **JIGs** to us, to enable improvement of your product quality!

JIG for white goods testing
top bottom



JIG for white goods testing with connectors of washing machine



JIG for testing fine pitch connector with flat cable



JIGs for fridge testing



JIG with tooling pin



JIGs for other industries

Because different kinds of requirements come from different kinds of industries, **Equip-Test** can provide references to design and manufacture **JIGs** for the **Medical, Aircraft, Aerospace, Train** and **Military Industries**.

Laboratories have special requirements for **JIGs** used under extreme temperature and climate conditions.

We are able to provide special **JIGs** for the temperature range of -100°C up to + 200°C JIGs – for usage in outdoor areas or in environmental test chambers etc..

Equip-Test has collected experience both in the field of testing and charging batteries used in mobile phones and other portable devices as well as in manufacturing **JIGs** for repair stations of mobile phones or other telecommunication devices.

JIG with connector in train industry



JIG for military



Aircraft application



Testing connector on PCB



Special applications



Assembly JIG's



Cable Harness Modules

The **Cable Harness Industry** is one of the key industry areas of **Equip-Test**, within which we have meanwhile built up a substantial amount of experience and expertise.

We focus on supplying high-quality **Modules** for testing the connectors on the harnesses and this at a competitive price. On the basis of our experience in this industry our customers can expect to be supplied with high-quality **Module Parts, Complete Modules, Test Probes and Accessories!**

Depending on the customer demands, we can supply modules made of plastic, glass-reinforced plastic, wood, aluminium or other base-materials.

The standard module sizes are 100 x 100mm or 50 x 100mm, but on customer request we can also design and manufacture customized sizes.

Equip-Test also supplies **Zero-Force Modules**, which are the perfect solution by large **Cable Harnesses** and ensure safe and fast replacement of wires and cables in a mass production environment.

We provide ergonomic and high-quality **Module Solutions** for the following main areas in the **Cable-Harness Testing Industry**:

- ...Clip-Test
- ...Push-back Test (zero force)
- ...Sealing and Continuity Test
- ...Short-Circuit and Push-back Test
- ...Colour & Code Identification Test
- ...Presence & Shape Test of Components and Pins
- ...Switch status and condition Test
- ...Module Parts and Release switch

Clip-Test



Push-back Module (zero force)



Sealing and Continuity Test



Short-Circuit and Push-back Test



Presence & Shape Test of Components and Pins



Module Parts and Release switch



Tools / Spare Parts

Test Probes

Tooling Pins / Release Levers / Springs

Test Probe Insertion / Extraction Tools

Receptacle Insertion / Extraction Tools

Wire-Wrapping Tools

Cable Binders / Cable Sockets

Wires

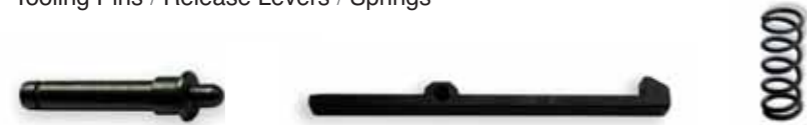
Interface Connectors

Special Tools on customer request

Test Probes



Tooling Pins / Release Levers / Springs



Test Probe Insertion / Extraction Tools



Receptacle Insertion / Extraction Tools



Wire-Wrapping Tools



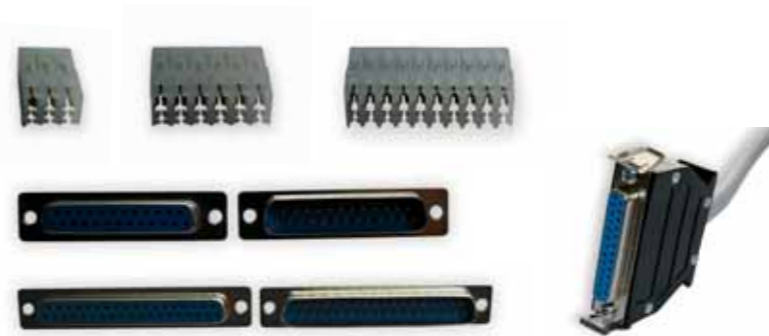
Cable Binders / Cable Sockets



Wires



Interface Connectors



Special Tools on customer request

